

DURATHERM GOLD

Slab Edge insulation brings significant gains in energy efficiency.

Insulating the perimeter of the foundation slab is one of the most efficient methods to improve the thermal performance of your home.

Depending on the circumstances, combining underslab insulation with our DuraTherm Gold slab edge insulation system you can improve the thermal performance of the concrete slab by 100%

A complete thermal barrier to the weather extremes' which will keep your home cooler in summer and warmer in winter.

Proven Technology

Our 22mm thick DuraTherm Gold PIR insulation board is closed cell and does not allow moisture to penetrate the insulation cells. Protected with a layer of fibreglass reinforced plaster.

Attractive and Durable

The hard wearing surface finish can be overcoated with Resene X-200 in the Resene Colour of your choice to complement the exterior.



**Innovative design.
Integrated systems.
Enduring finish.**

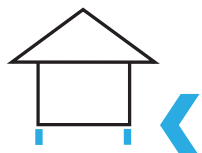
Thermal
performance
+
Durability
+
Comfort



DURATHERM GOLD

SYSTEM FEATURES:

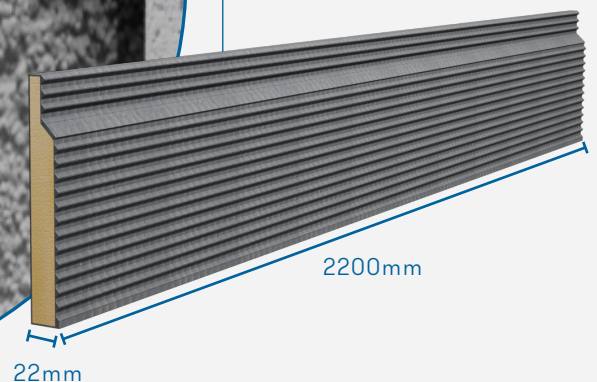
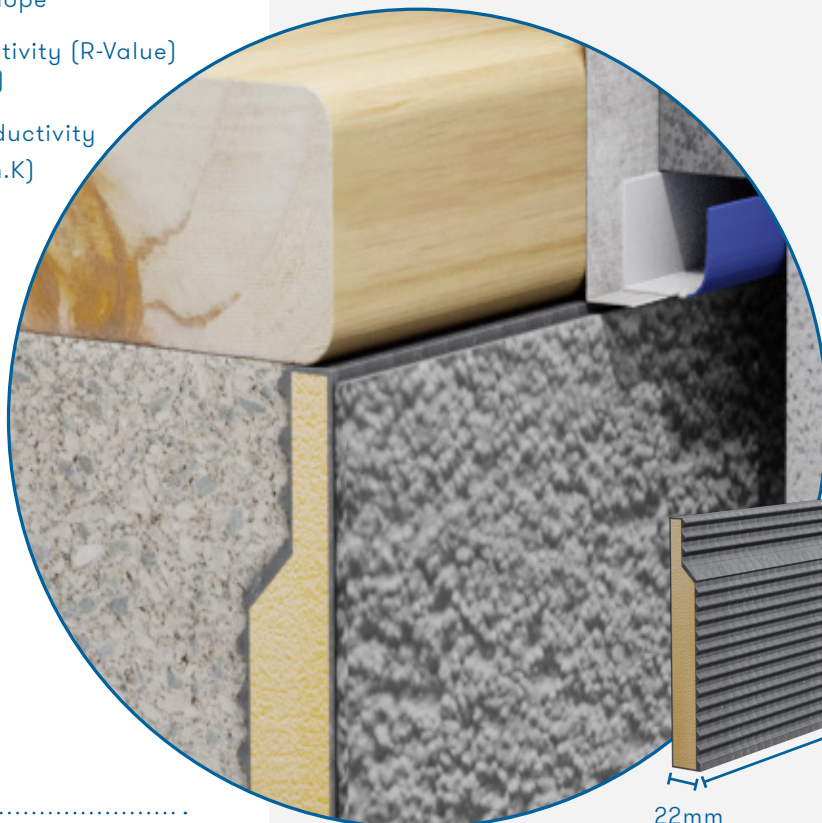
- + 22mm thick DuraTherm GOLD PIR insulation
- + Pre-coated & reinforced
- + Complete Slab Edge Insulation
- + Key coated inside face for bonding against concrete
- + Tough & Durable
- + Fast, Lightweight & easy installation
- + Thermal envelope
- + Thermal Resistivity (R-Value) 1.03 W/(m².K)
- + Thermal Conductivity 0.02140 W/(m.K)



By using our 22mm Duratherm Gold Slab Edge Insulation you can fully insulate to the top of the floor slab. Combine this with underslab insulation and your project will yield even larger increases in thermal performance.

By adding on 22mm Duratherm Gold Slab Edge Insulation with an R-Value of 1.03 this would increase the overall R-Value of the floor slab to approximately 1.57

Perimeter insulation provides significant gains in energy efficiency depending on the type of construction and configuration of the floor slab.



Multiple sizes available

- 305mm with rebate (pre-pour)
- 385mm with rebate (pre-pour)
- 215mm with rebate - masonry veneer (pre-pour)
- 295mm with rebate masonry veneer (pre-pour)
- 300mm square edge (pre-pour)
- 305mm with rebate (post pour)
- 300mm square edge (post pour)