

Material

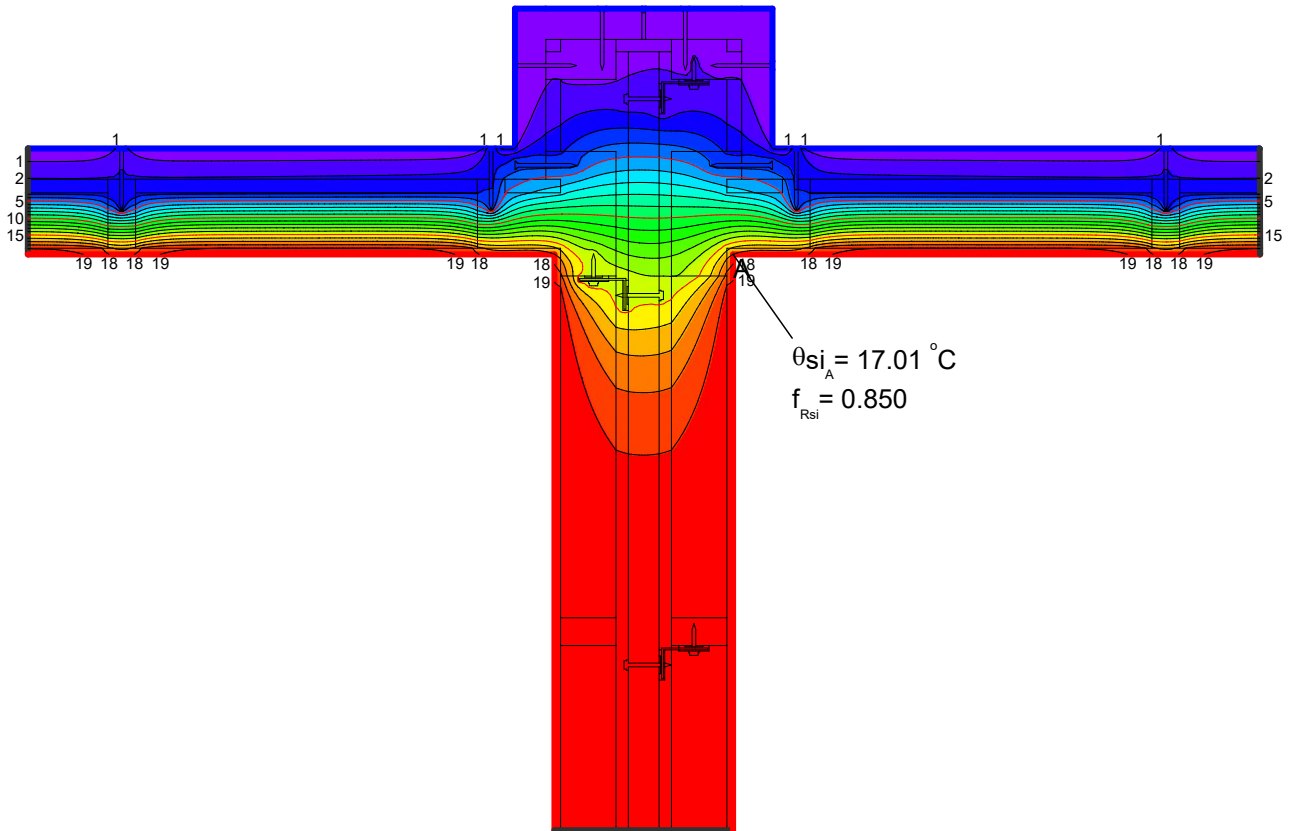
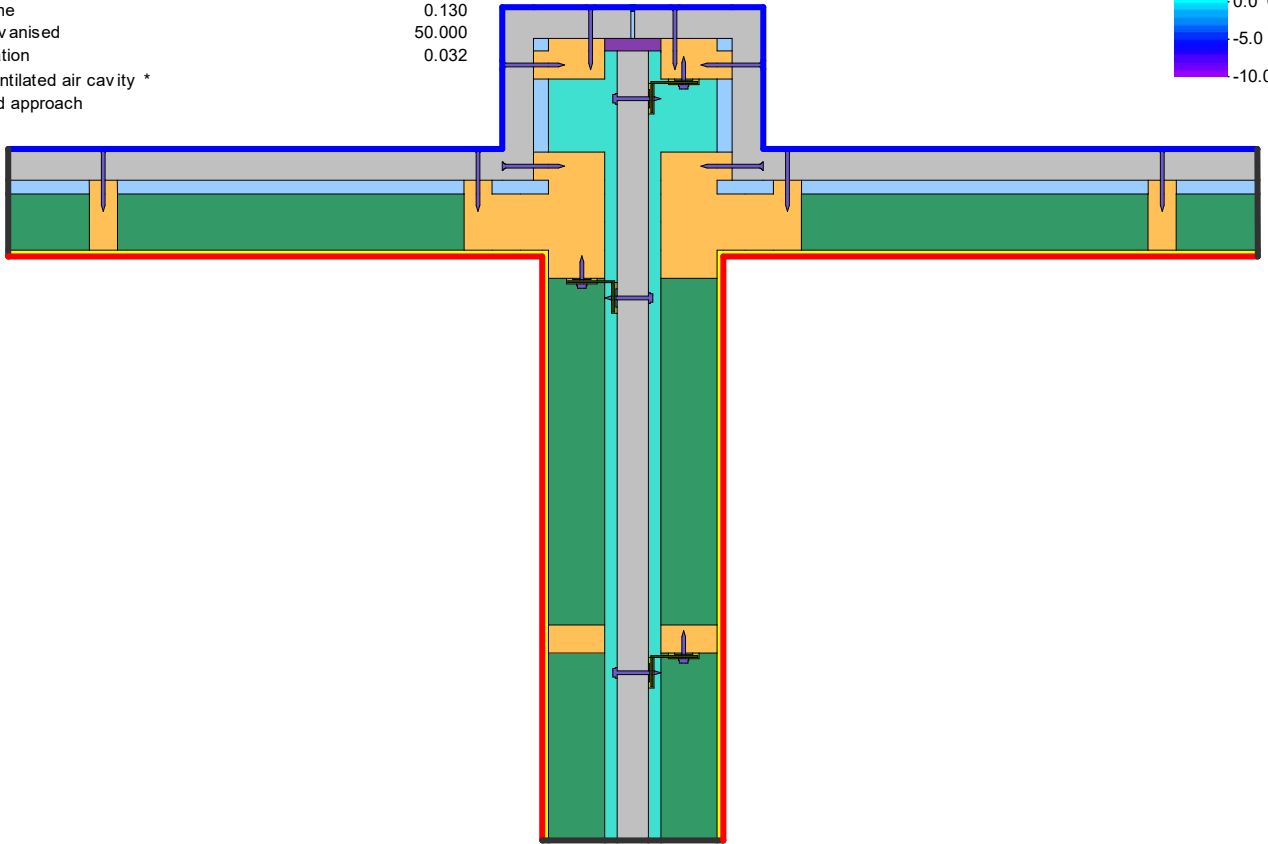
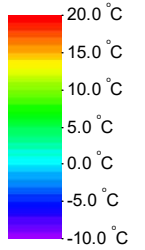
- Air layer, unventilated, horizontal, thickness: 20 mm
 - Aluminium alloy
 - Integra
 - Plasterboard
 - RCS Dampener
 - RCS Firewool
 - Radiate Pine
 - Steel - Galvanised
 - Wall Insulation
 - Slightly ventilated air cavity *
- * Simplified approach

λ [W/(m·K)]

- 0.111
- 160.000
- 0.150
- 0.250
- 0.500
- 0.035
- 0.130
- 50.000
- 0.032

Boundary Condition q [W/m²] ΔT [°C] R [(m²·K)/W] □

- Exterior, normal 0.000 0.040
- Interior, normal, horizontal 20.000 0.130
- Symmetry / Model section 0.000

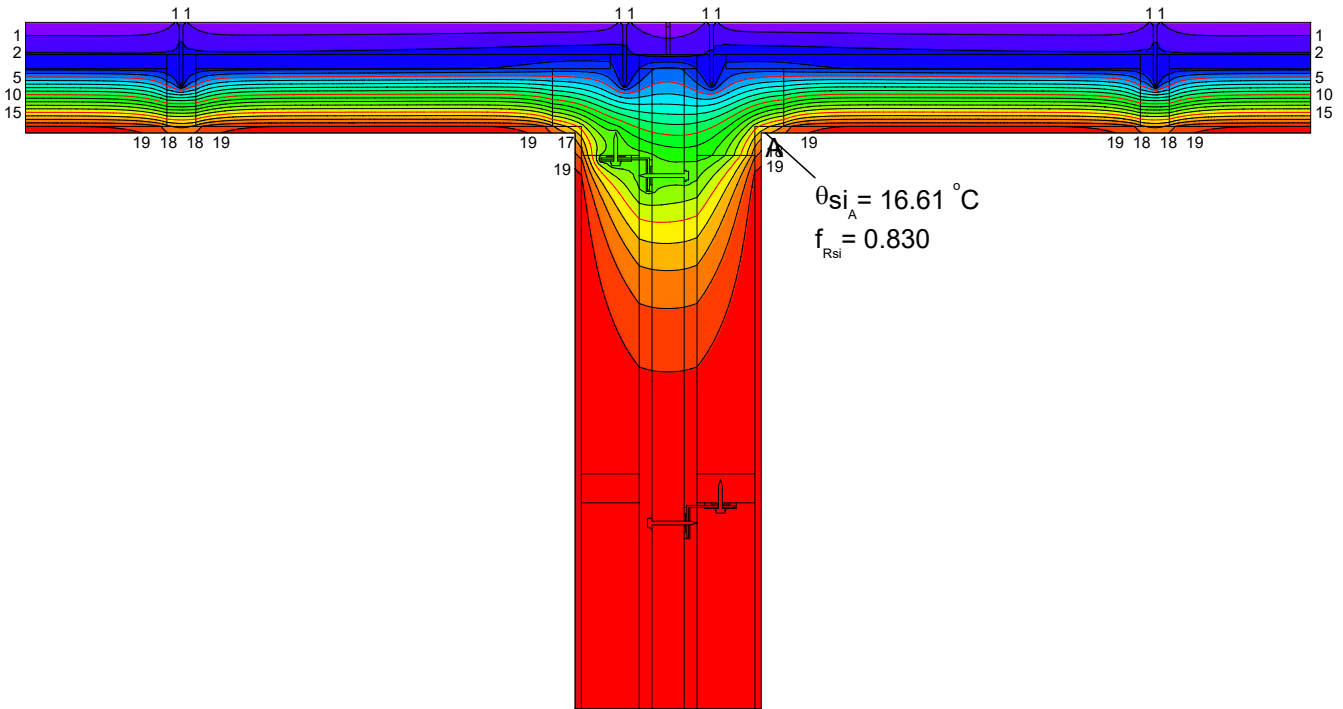
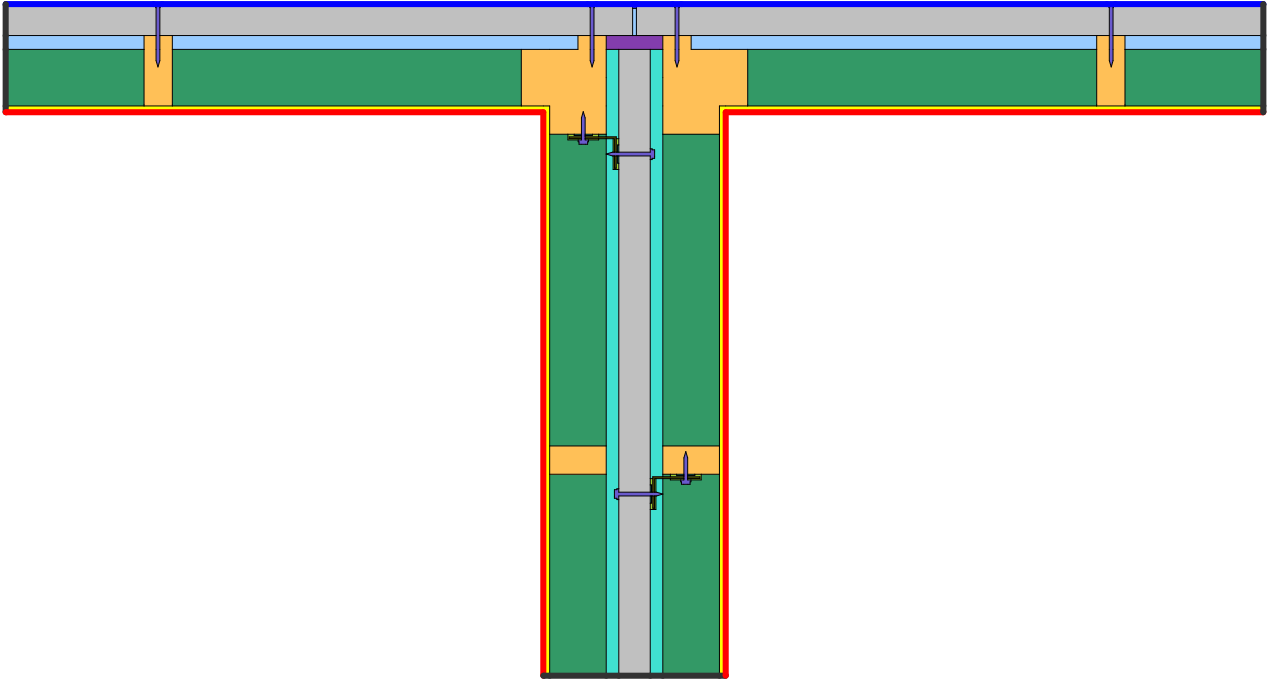
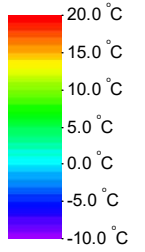


Material

Material	λ [W/(m·K)]
Air layer, unventilated, horizontal, thickness: 20 mm	0.111
Aluminium alloy	160.000
Integra	0.150
Plasterboard	0.250
RCS Dampener	0.500
RCS Firewool	0.035
Radiate Pine	0.130
Steel - Galvanised	50.000
Wall Insulation	0.032
Slightly ventilated air cavity *	

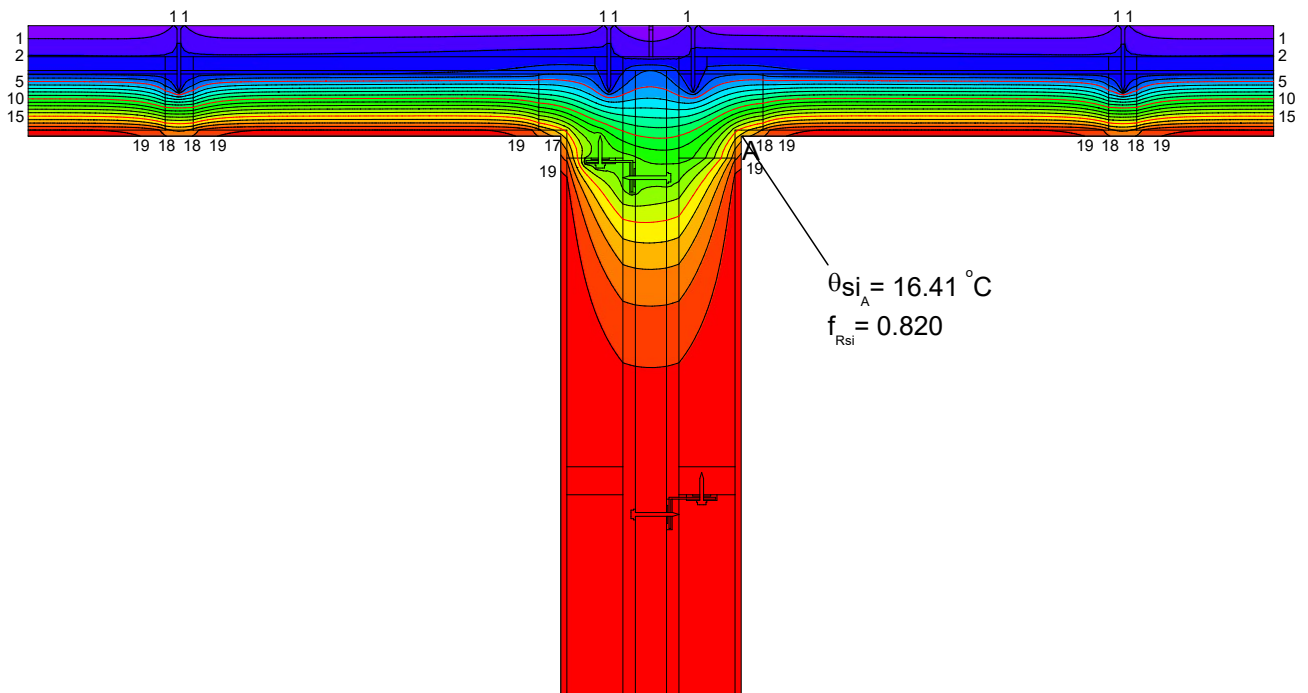
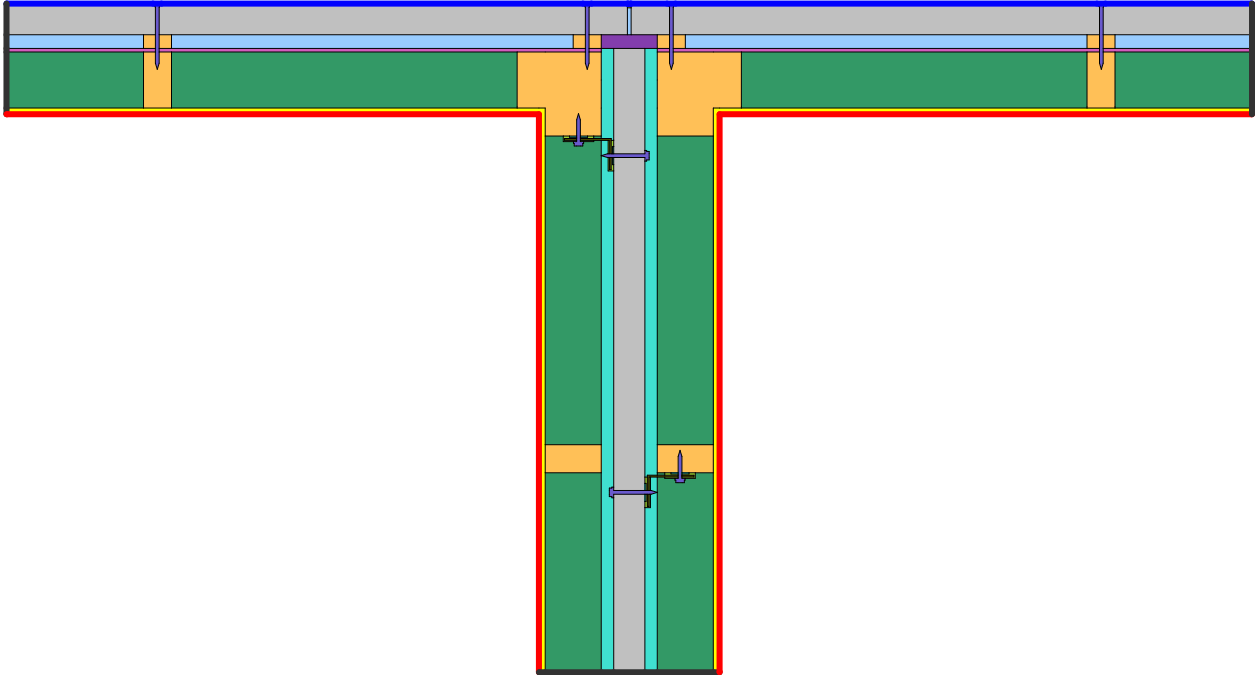
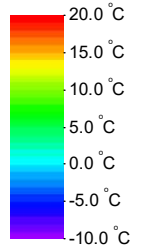
* Simplified approach

Boundary Condition	q [W/m ²]	T [°C]	R [(m ² ·K)/W]
Exterior, normal	0.000	0.040	
Interior, normal, horizontal	20.000	0.130	
Symmetry / Model section	0.000		



Material	λ [W/(m·K)]
Air layer, unventilated, horizontal, thickness: 20 mm	0.111
Aluminium alloy	160.000
Integra	0.150
Plasterboard	0.250
RCS Dampener	0.500
RCS Firewool	0.035
Radiate Pine	0.130
Steel - Galvanised	50.000
Wall Insulation	0.032
Slightly ventilated air cavity *	
* Simplified approach	

Boundary Condition	q [W/m ²]	T [°C]	R [(m ² ·K)/W]
Exterior, normal	0.000	0.040	
Interior, normal, horizontal	20.000	0.130	
Symmetry/Model section	0.000		

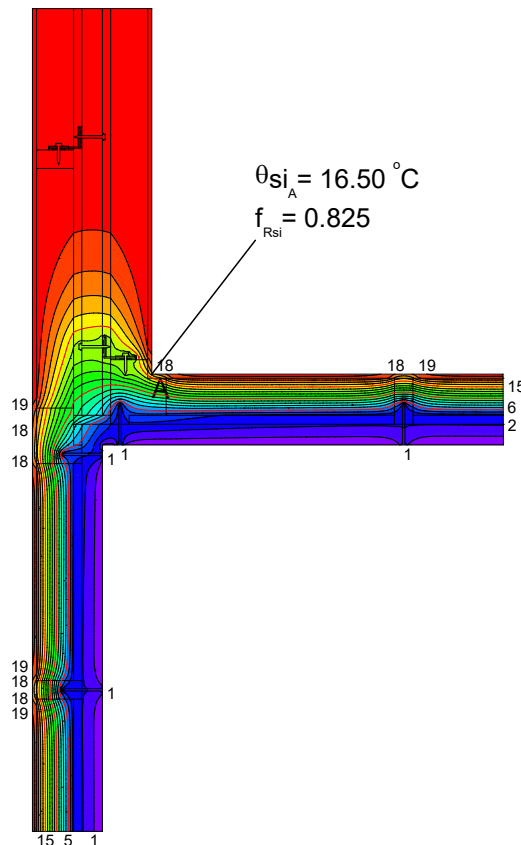
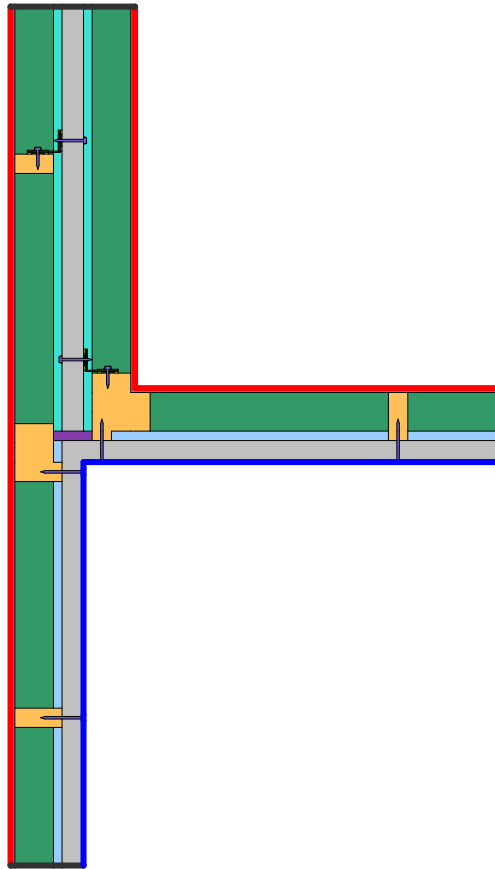
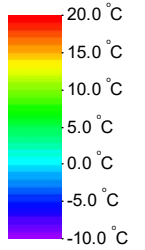


Material

Air layer, unventilated, horizontal, thickness: 20 mm	0.111
Aluminium alloy	160.000
Integra	0.150
Plasterboard	0.250
RCS Dampener	0.500
RCS Firewool	0.035
Radiate Pine	0.130
Steel - Galvanised	50.000
Wall Insulation	0.032
Slightly ventilated air cavity *	
* Simplified approach	

$\rho[W/(m \cdot K)]$

Boundary Condition	$q[W/m^2]$	$\Delta T [^\circ C]$	$R[(m^2 \cdot K)/W]$
Exterior, normal	0.000	20.000	0.040
Interior, normal, horizontal	0.000	20.000	0.130
Symmetry/Model section	0.000		

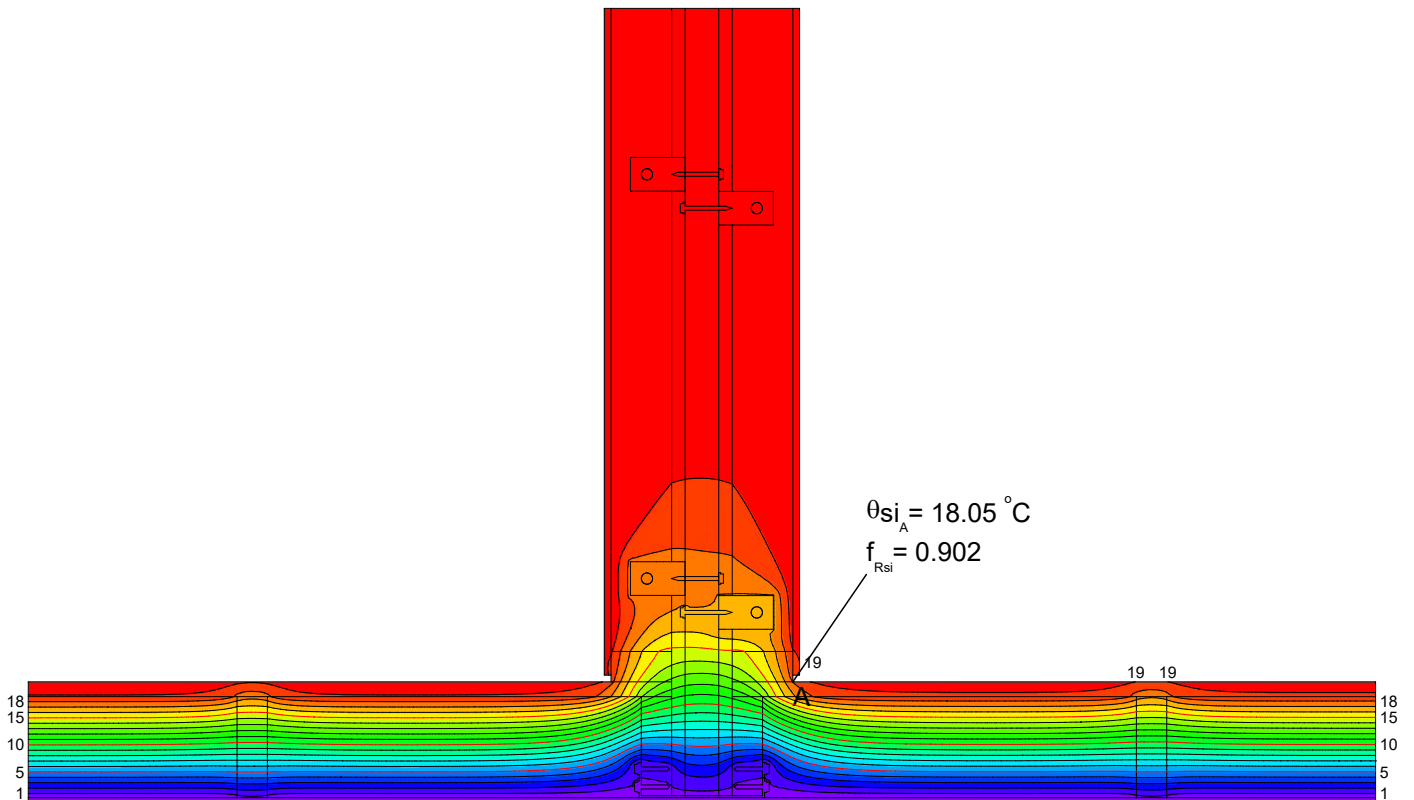
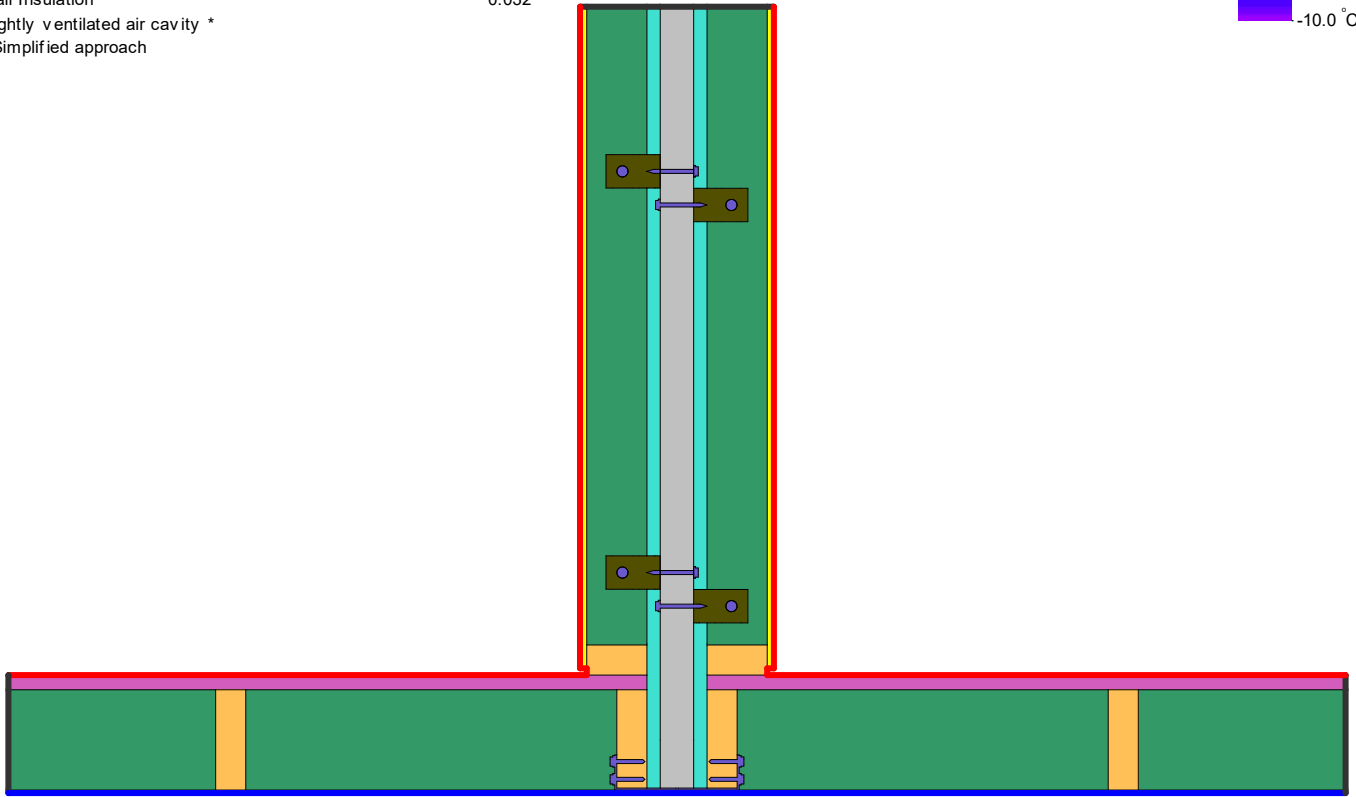
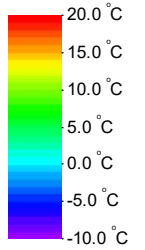


Material

Air layer, unventilated, horizontal, thickness: 20 mm	0.111
Aluminium alloy	160.000
Integra	0.150
Plasterboard	0.250
RCS Dampener	0.500
RCS Firewool	0.035
Radiate Pine	0.130
Steel - Galvanised	50.000
Wall Insulation	0.032
Slightly ventilated air cavity *	
* Simplified approach	

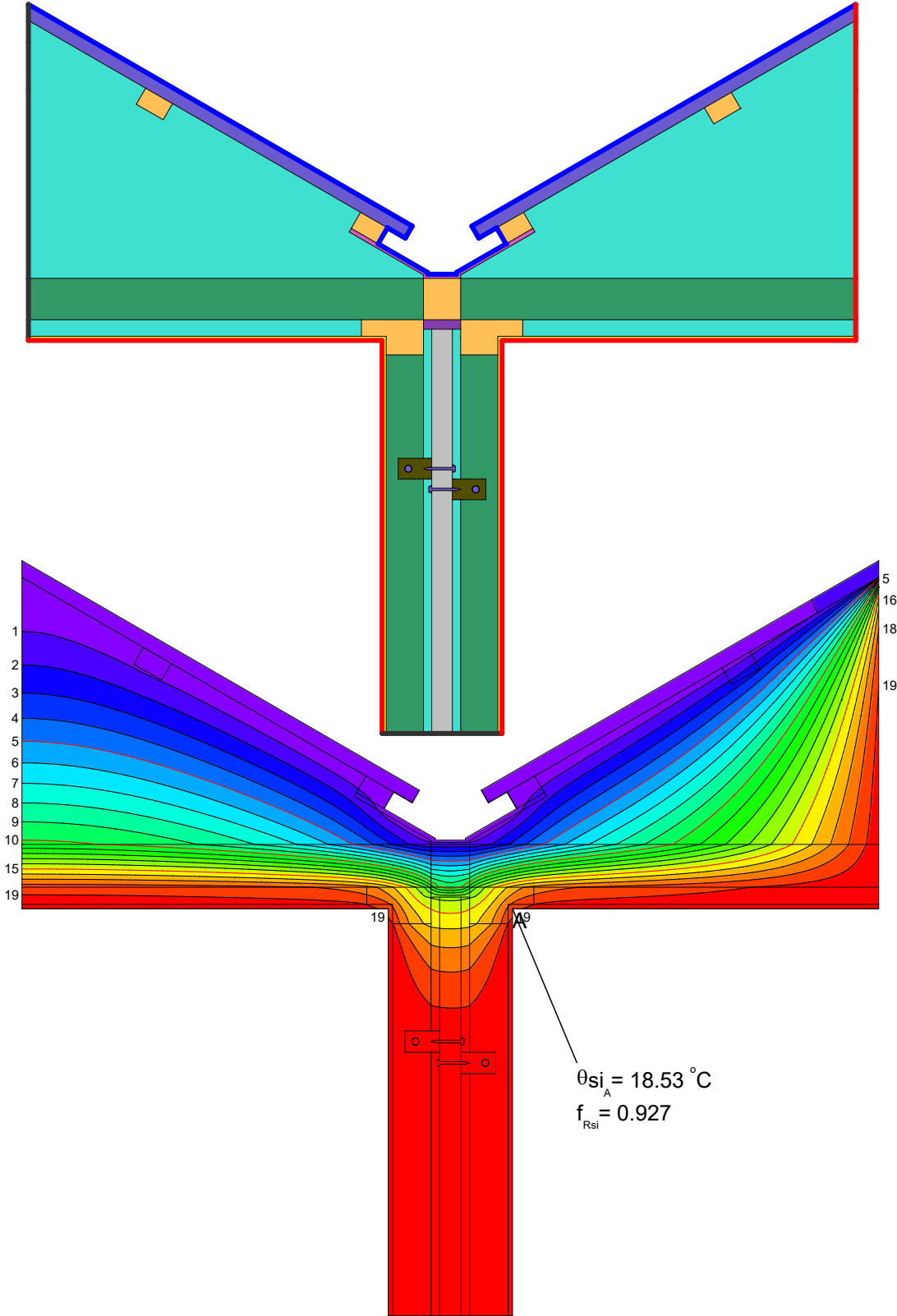
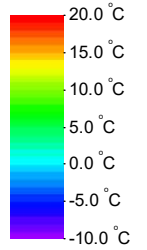
λ [W/(m·K)]

Boundary Condition	q [W/m ²]	T [°C]	R [(m ² ·K)/W]
Exterior, normal	0.000	0.040	
Interior, normal, horizontal	20.000	0.130	
Symmetry / Model section	0.000		



Material	ρ [W/(m·K)]
Air layer, unventilated, horizontal, thickness: 20 mm	0.111
Aluminium alloy	160.000
Integra	0.150
Plasterboard	0.250
RCS Dampener	0.500
RCS Firewool	0.035
Radiate Pine	0.130
Steel - Galvanised	50.000
Wall Insulation	0.032
Slightly ventilated air cavity *	
* Simplified approach	

Boundary Condition	q [W/m ²]	T [°C]	R [(m ² ·K)/W]
Exterior, normal	0.000	0.040	
Interior, normal, horizontal	20.000	0.130	
Symmetry/Model section	0.000		

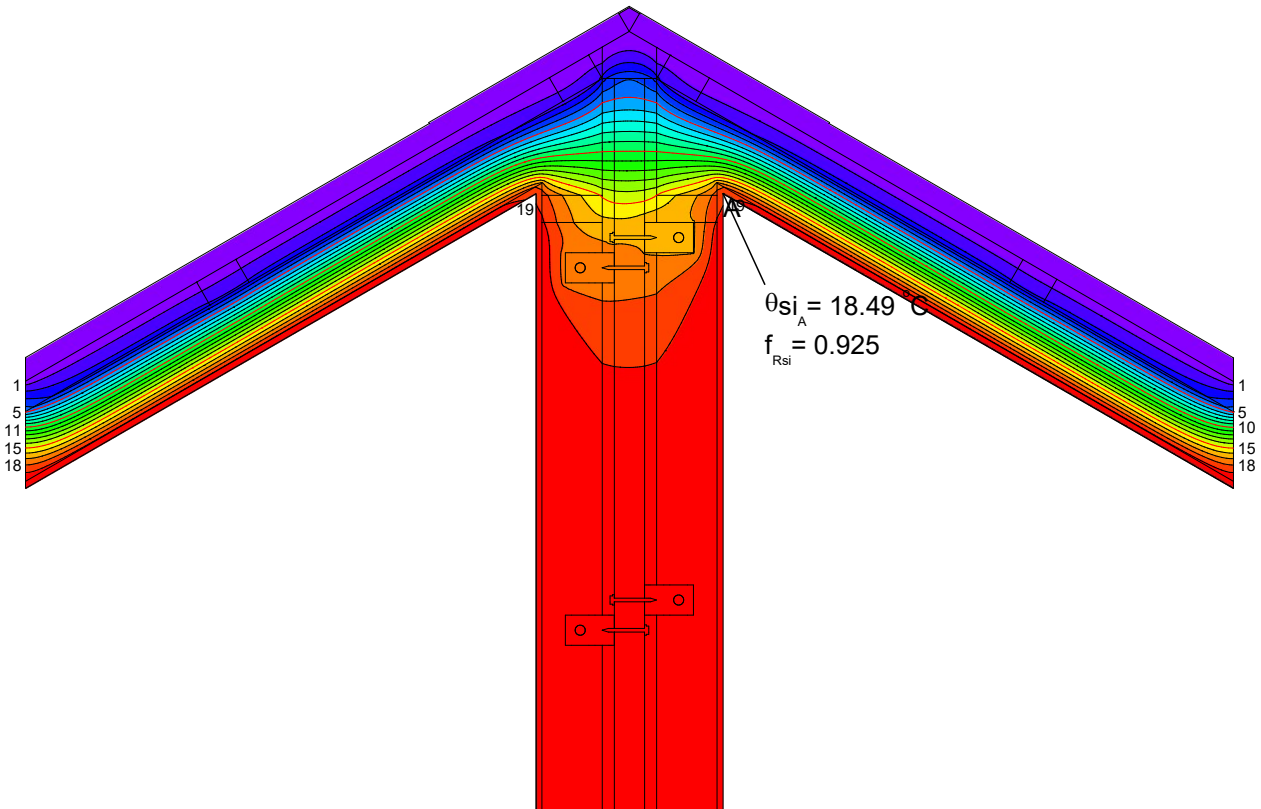
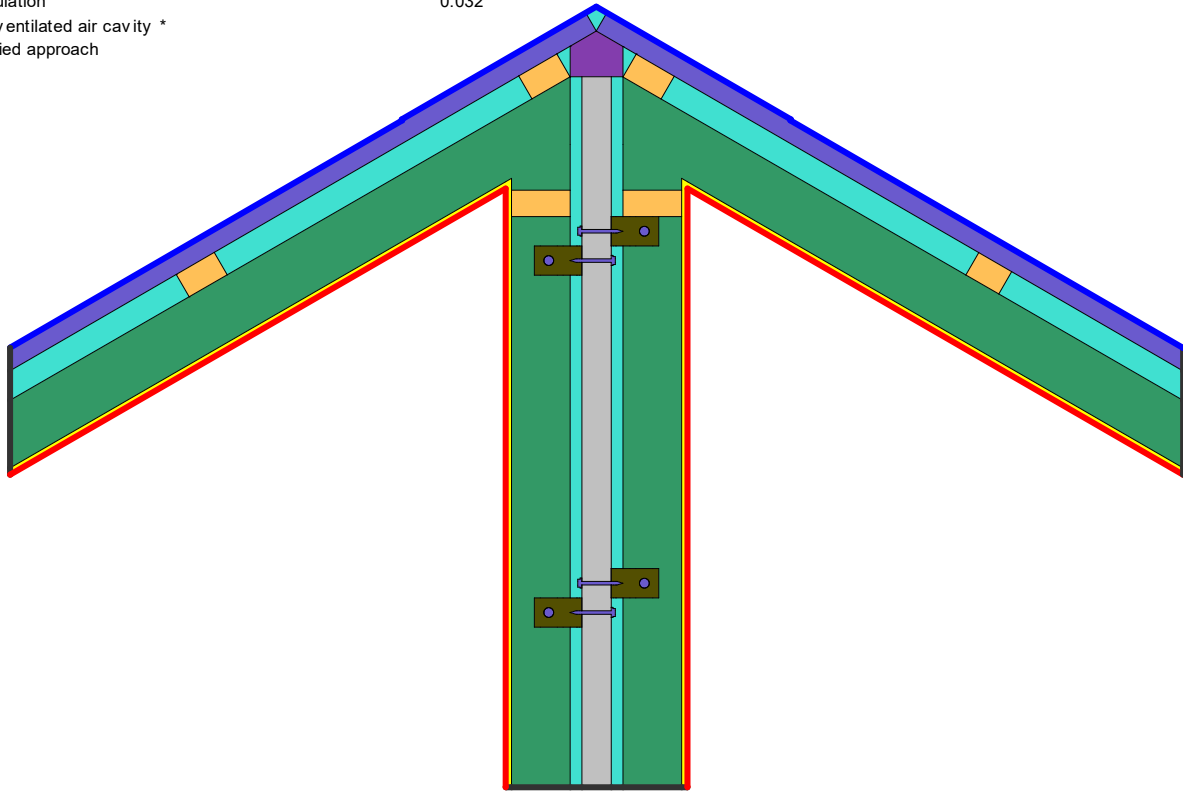
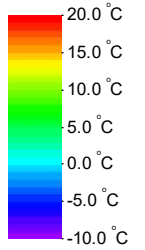


Material

Material	λ [W/(m·K)]
Air layer, unventilated, horizontal, thickness: 20 mm	0.111
Aluminium alloy	160.000
Integra	0.150
Plasterboard	0.250
RCS Dampener	0.500
RCS Firewool	0.035
Radiate Pine	0.130
Steel - Galvanised	50.000
Wall Insulation	0.032
Slightly ventilated air cavity *	

* Simplified approach

Boundary Condition	q [W/m ²]	T [°C]	R [(m ² ·K)/W]
Exterior, normal	0.000	0.040	
Interior, normal, horizontal	20.000	0.130	
Symmetry / Model section	0.000		

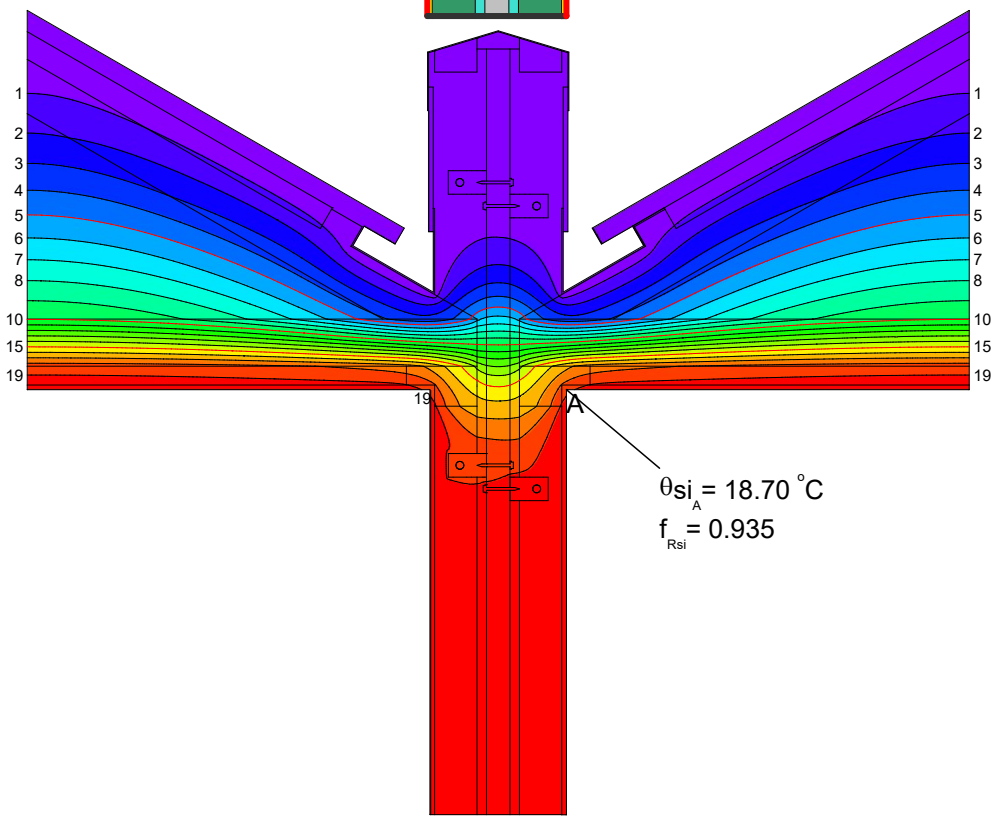
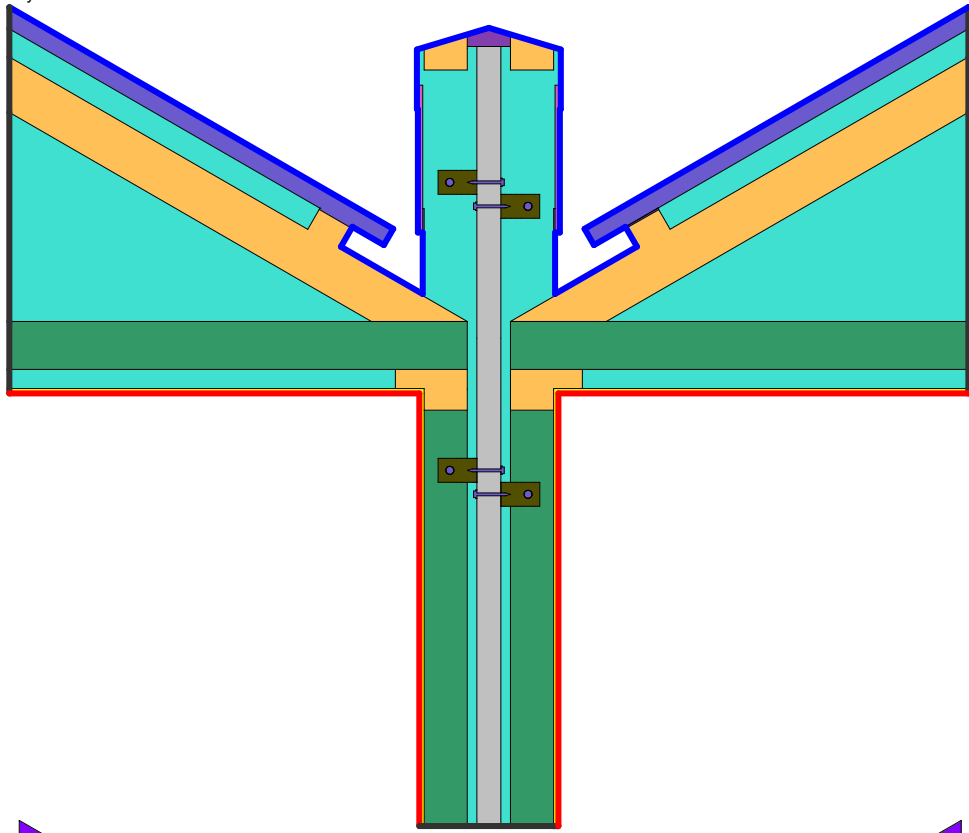
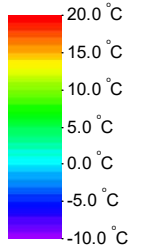


Material

Material	λ [W/(m·K)]
Air layer, unventilated, horizontal, thickness: 20 mm	0.111
Aluminium alloy	160.000
Integra	0.150
Plasterboard	0.250
RCS Dampener	0.500
RCS Firewool	0.035
Radiate Pine	0.130
Steel - Galvanised	50.000
Wall Insulation	0.032
Slightly ventilated air cavity *	

* Simplified approach

Boundary Condition	q [W/m ²]	T [°C]	R [(m ² ·K)/W]
Exterior, normal	0.000	0.040	
Interior, normal, horizontal	20.000	0.130	
Symmetry / Model section	0.000		



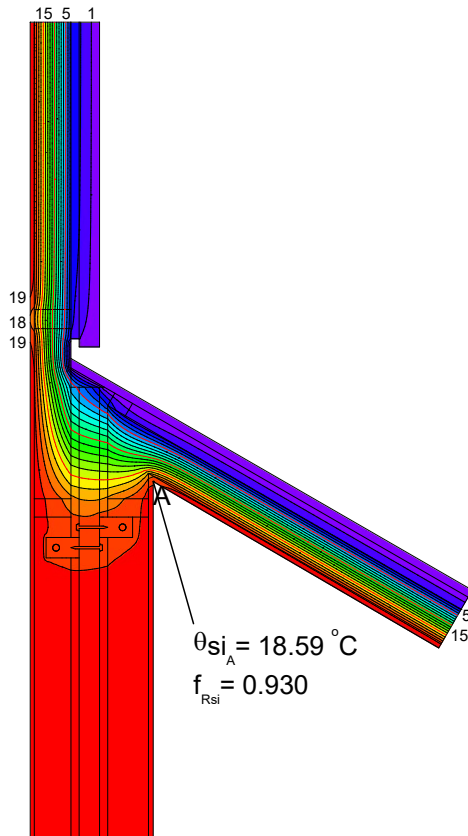
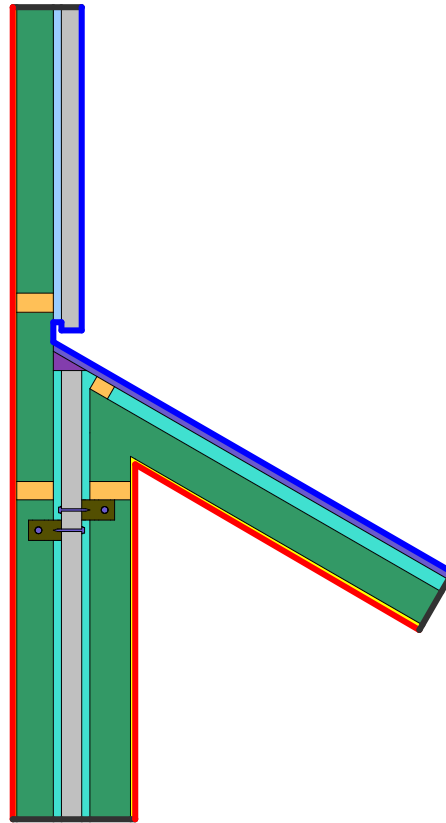
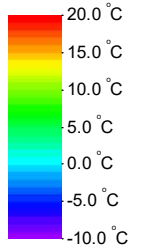
$\theta_{si} = 18.70 \text{ °C}$
 $f_{Rsi} = 0.935$

Material

Air layer, unventilated, horizontal, thickness: 20 mm	0.111
Aluminium alloy	160.000
Integra	0.150
Plasterboard	0.250
RCS Dampener	0.500
RCS Firewool	0.035
Radiate Pine	0.130
Steel - Galvanised	50.000
Wall Insulation	0.032
Slightly ventilated air cavity *	
* Simplified approach	

$\rho[W/(m \cdot K)]$

Boundary Condition	$q[W/m^2]$	$\Delta T[^\circ C]$	$R[(m^2 \cdot K)/W]$
Exterior, normal	0.000	0.040	0.040
Interior, normal, horizontal	20.000	0.130	0.130
Symmetry/Model section	0.000		

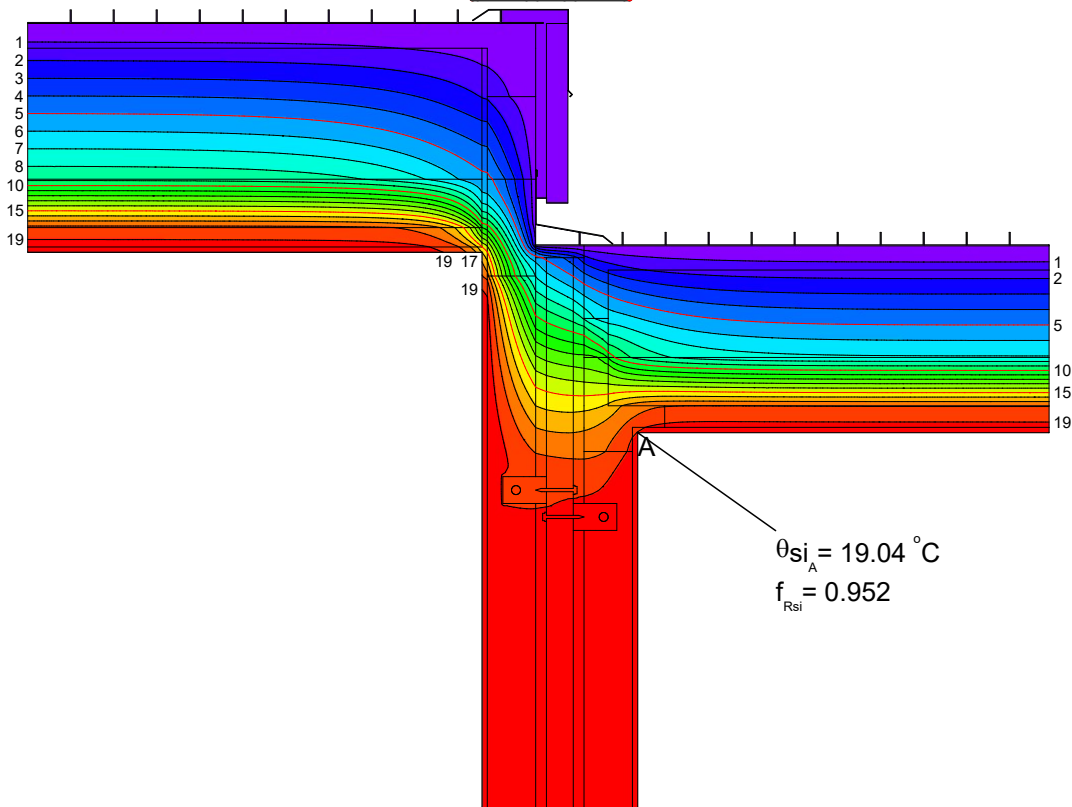
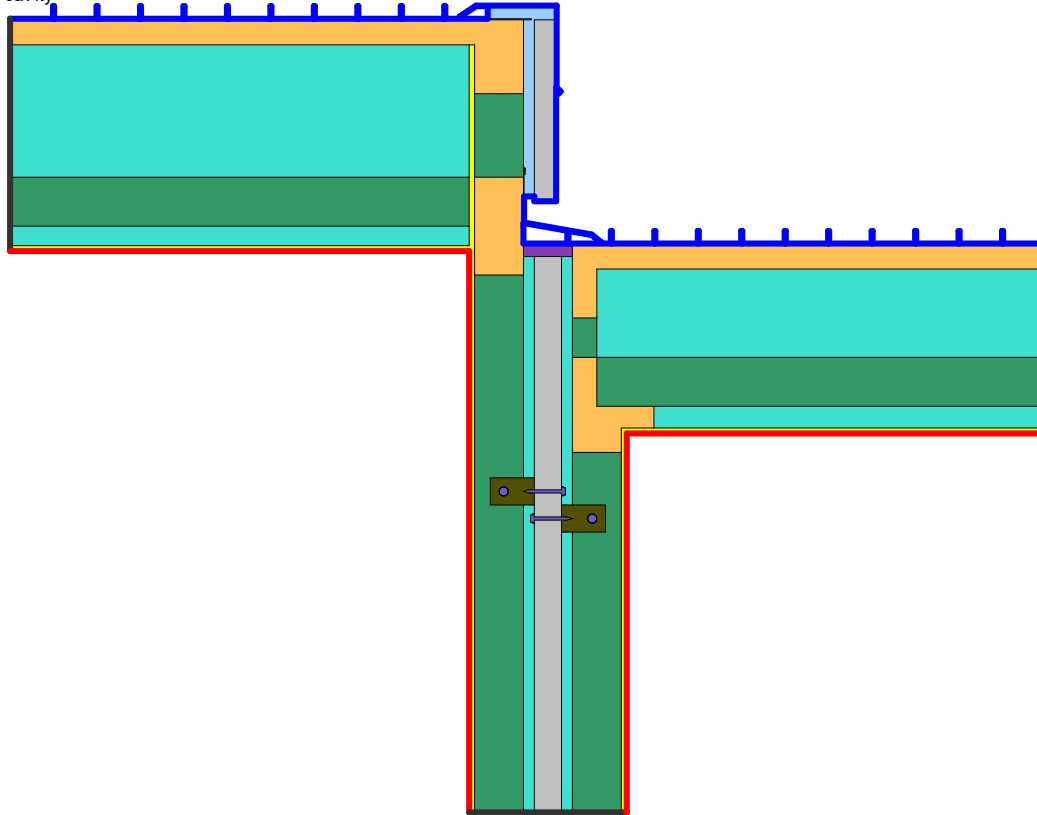
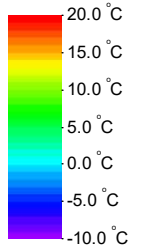


Material

Material	λ [W/(m·K)]
Air layer, unventilated, horizontal, thickness: 20 mm	0.111
Aluminium alloy	160.000
Integra	0.150
Plasterboard	0.250
RCS Dampener	0.500
RCS Firewool	0.035
Radiate Pine	0.130
Steel - Galvanised	50.000
Wall Insulation	0.032
Slightly ventilated air cavity *	

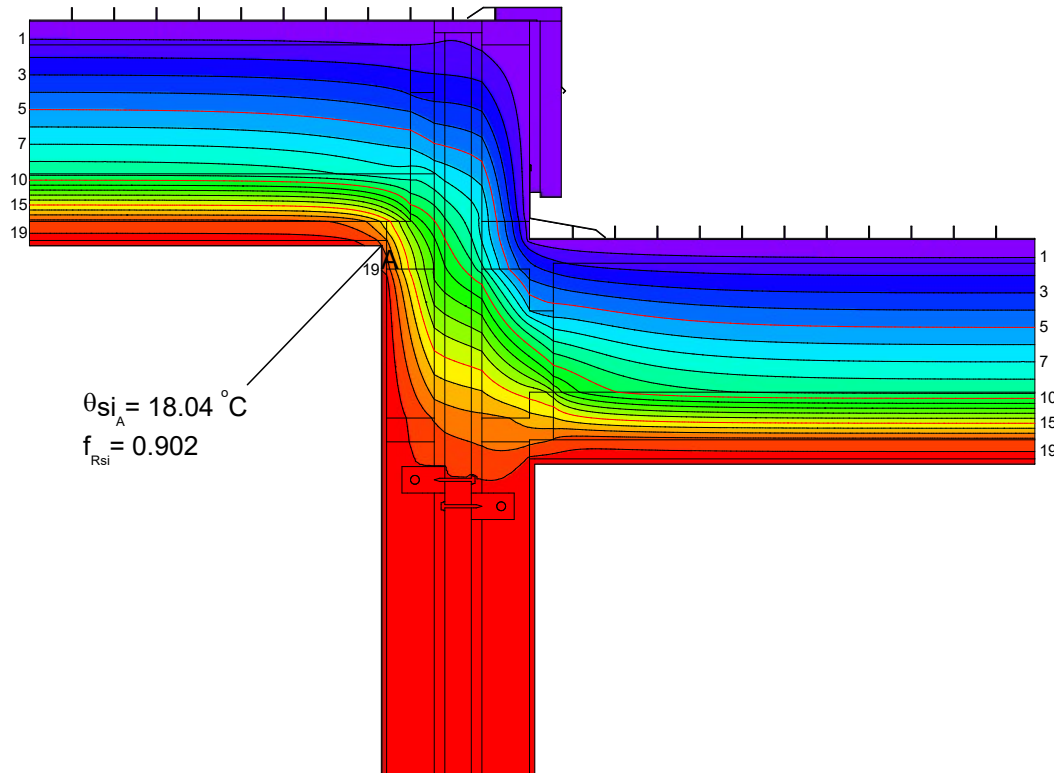
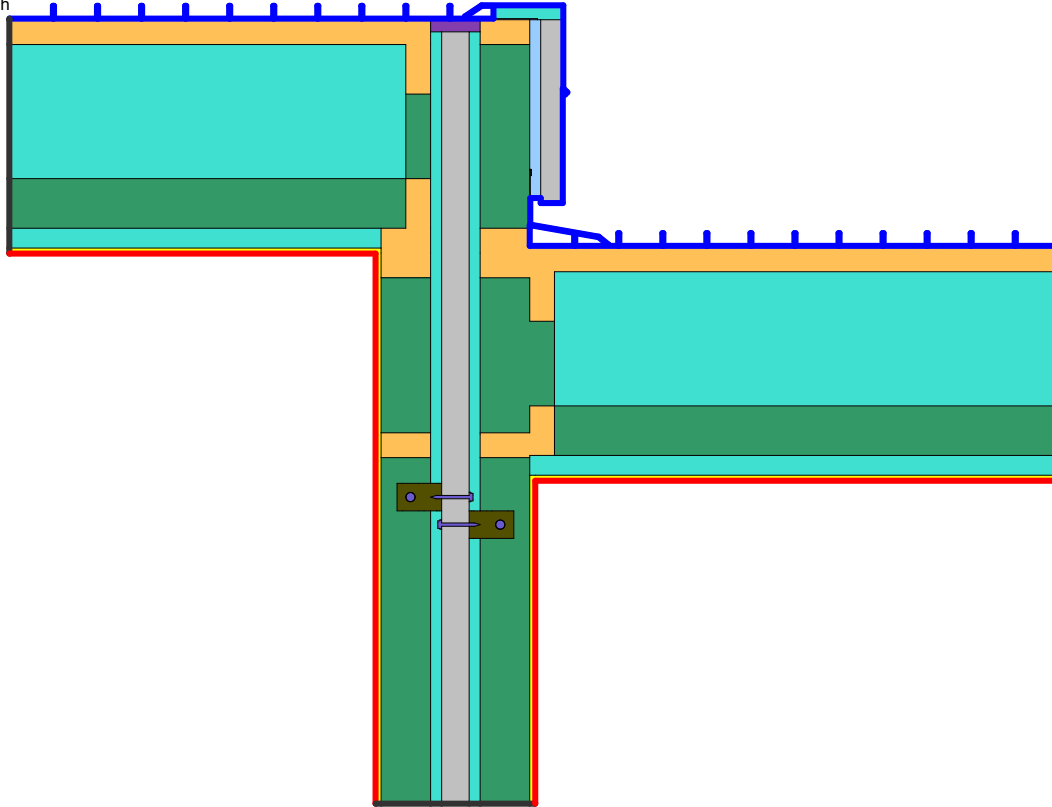
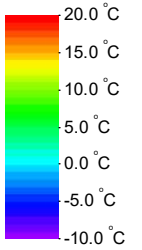
* Simplified approach

Boundary Condition	q [W/m ²]	T [°C]	R [(m ² ·K)/W]
Exterior, normal	0.000	0.040	
Interior, normal, horizontal	20.000	0.130	
Symmetry / Model section	0.000		



$\theta_{si_A} = 19.04 \text{ }^\circ\text{C}$
 $f_{Rsi} = 0.952$

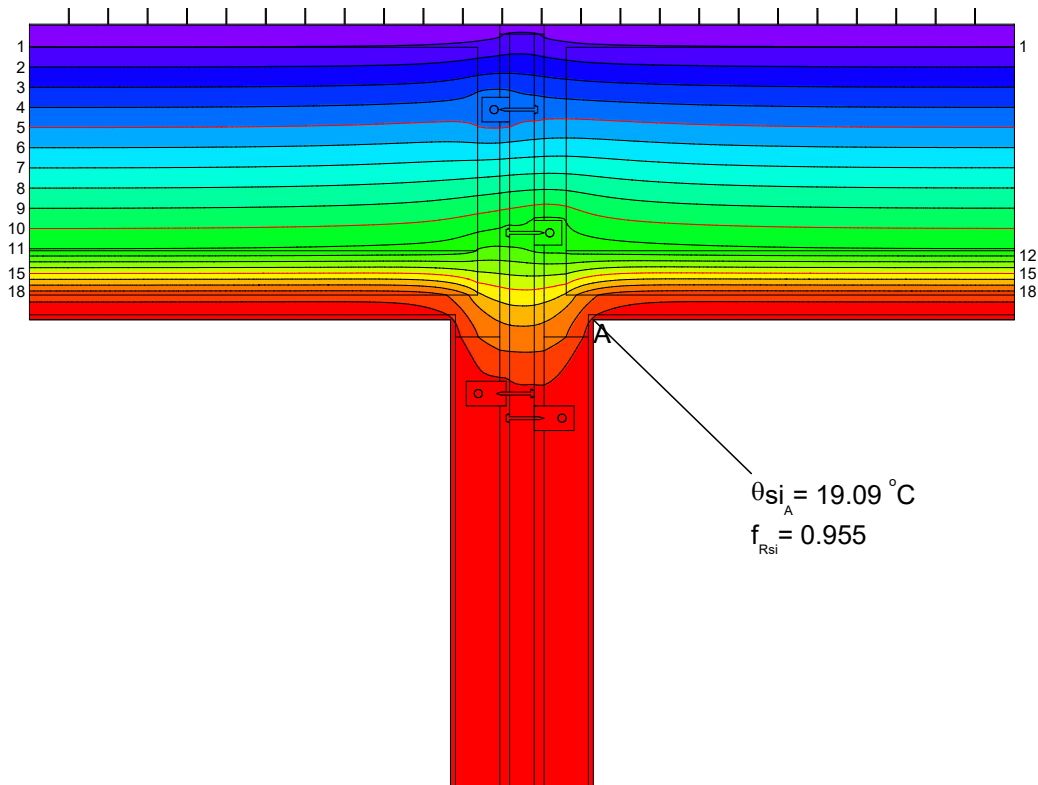
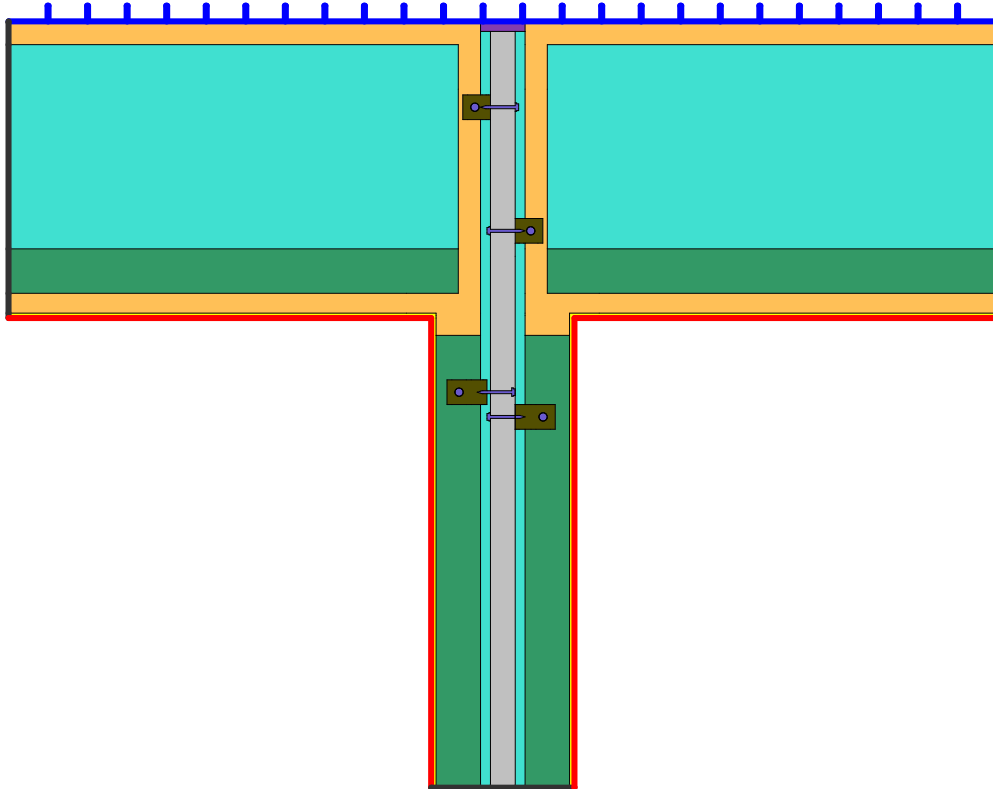
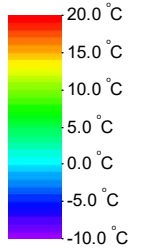
Material	λ [W/(m·K)]	Boundary Condition	q [W/m ²]	T [°C]	R [(m ² ·K)/W]	\square
Air layer, unventilated, horizontal, thickness: 20 mm	0.111	Exterior, normal	0.000	0.040		
Aluminium alloy	160.000	Interior, normal, horizontal	20.000	0.130		
Integra	0.150	Symmetry/Model section	0.000			
Plasterboard	0.250					
RCS Dampener	0.500					
RCS Firewool	0.035					
Radiate Pine	0.130					
Steel - Galvanised	50.000					
Wall Insulation	0.032					
Slightly ventilated air cavity *						



Material	λ [W/(m·K)]
Air layer, unventilated, horizontal, thickness: 20 mm	0.111
Aluminium alloy	160.000
Integra	0.150
Plasterboard	0.250
RCS Dampener	0.500
RCS Firewool	0.035
Radiate Pine	0.130
Steel - Galvanised	50.000
Wall Insulation	0.032
Slightly ventilated air cavity *	

* Simplified approach

Boundary Condition	q [W/m ²]	T [°C]	R [(m ² ·K)/W]
Exterior, normal	0.000	0.040	
Interior, normal, horizontal	20.000	0.130	
Symmetry / Model section	0.000		



Material

Material	λ [W/(m·K)]
Air layer, unventilated, horizontal, thickness: 20 mm	0.111
Aluminium alloy	160.000
Integra	0.150
Plasterboard	0.250
RCS Dampener	0.500
RCS Firewool	0.035
Radiate Pine	0.130
Steel - Galvanised	50.000
Wall Insulation	0.032
Slightly ventilated air cavity *	

* Simplified approach

Boundary Condition	q [W/m ²]	T [°C]	R [(m ² ·K)/W]
Exterior, normal	0.000	0.040	
Interior, normal, horizontal	20.000	0.130	
Symmetry / Model section	0.000		

